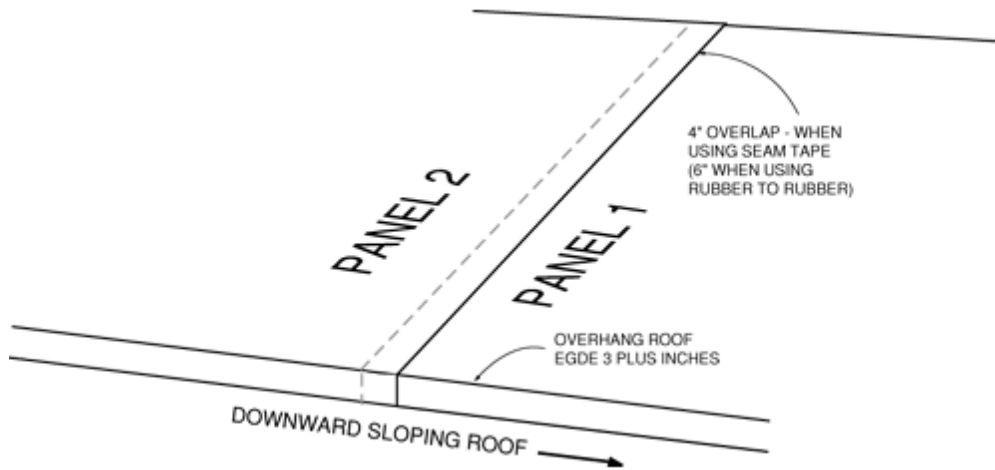
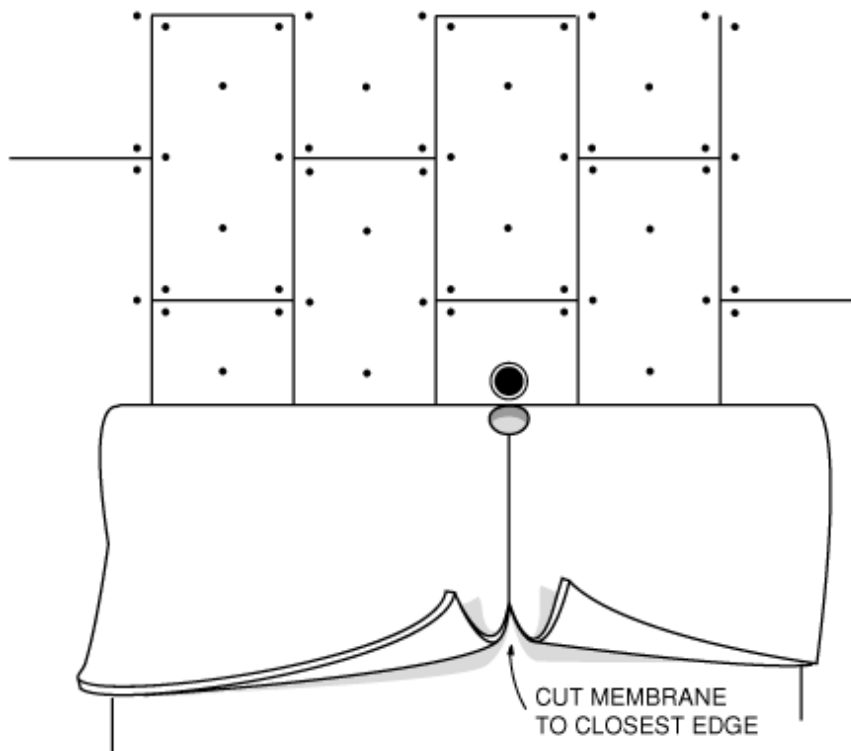


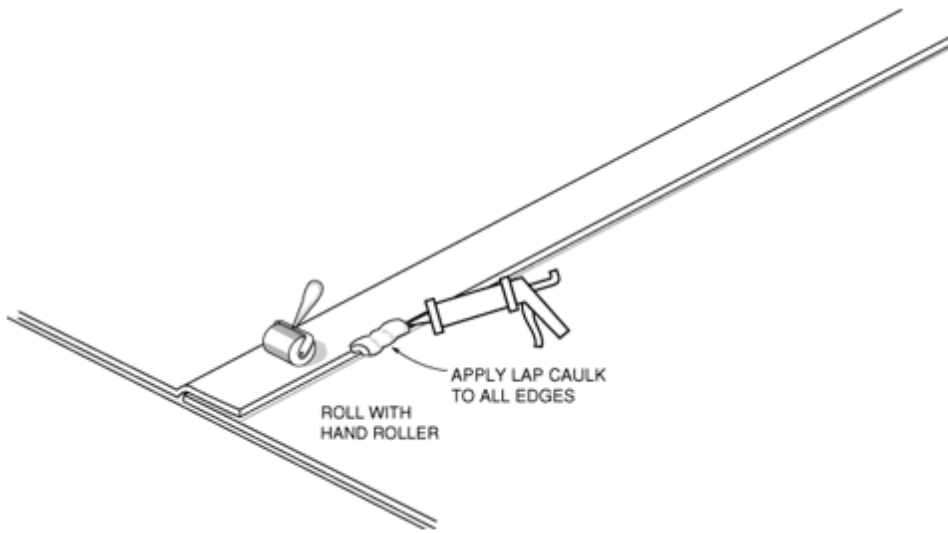
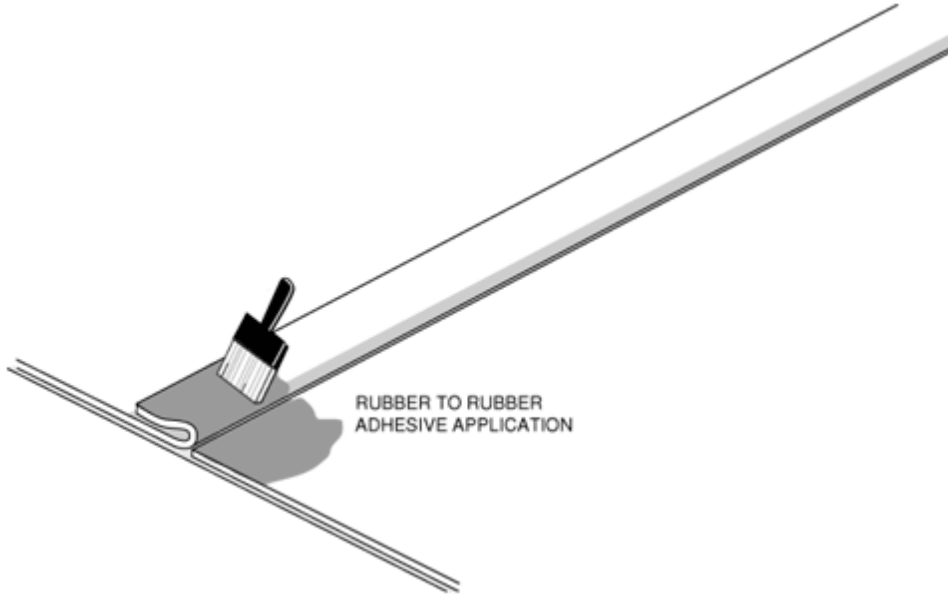
## EPDM Membrane General Installation Concept

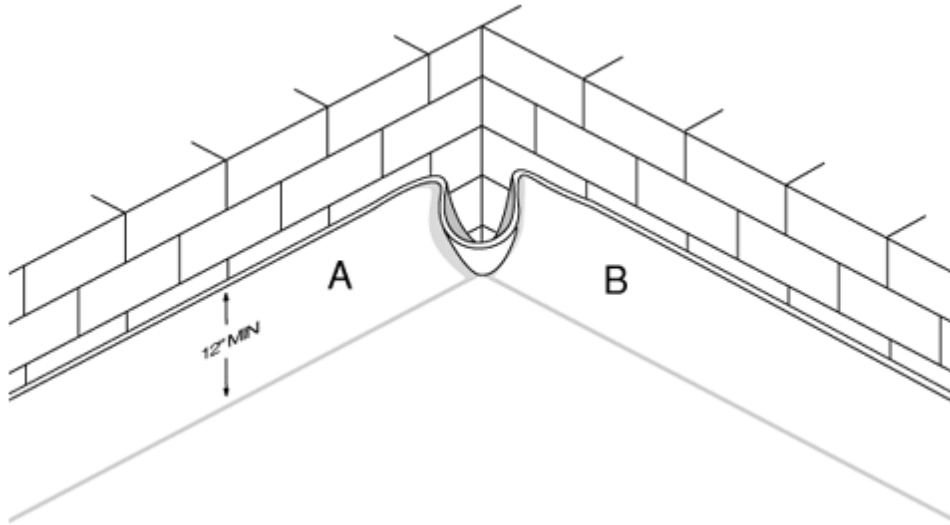
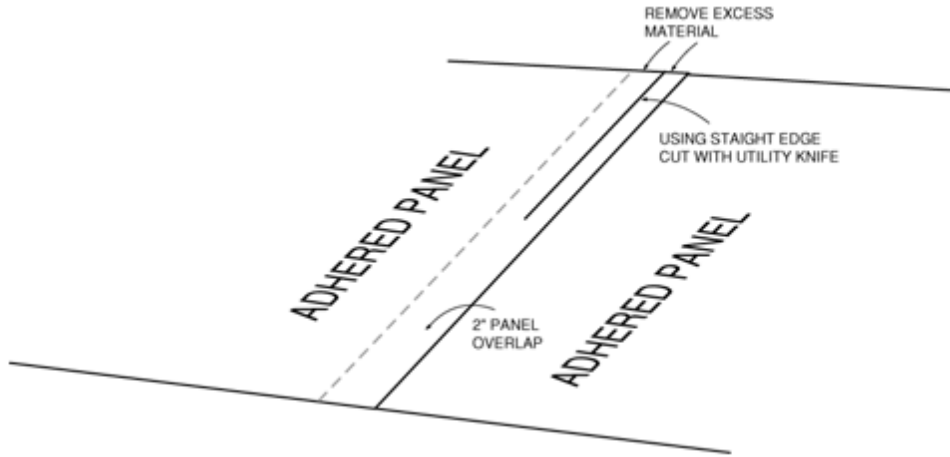
### 1) Laying EPDM Membrane

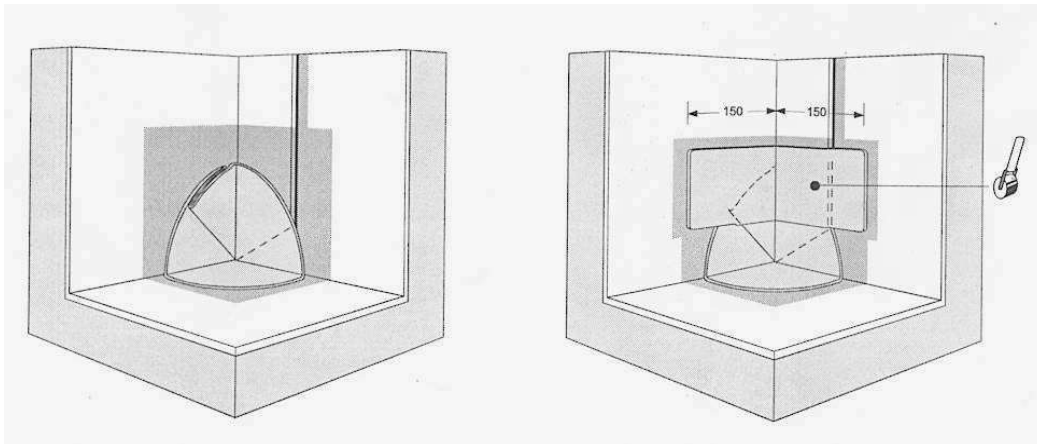
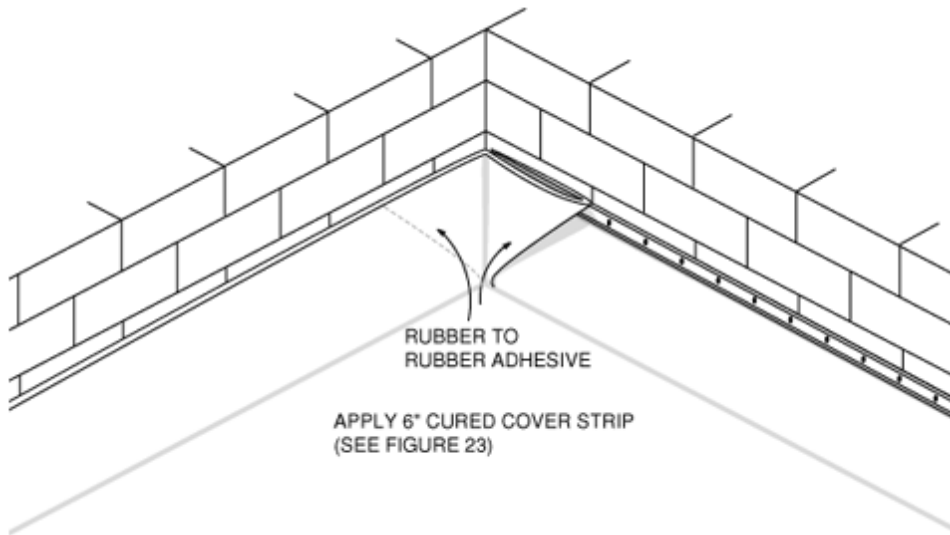
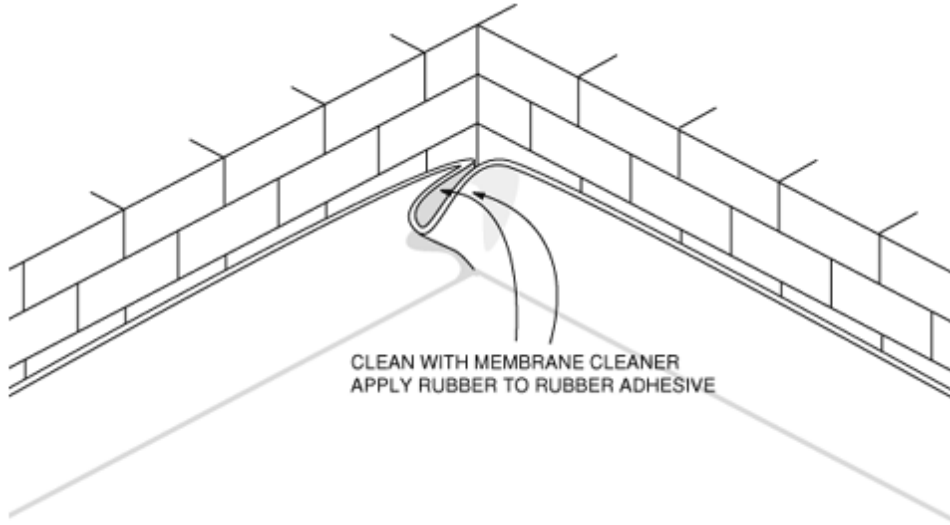


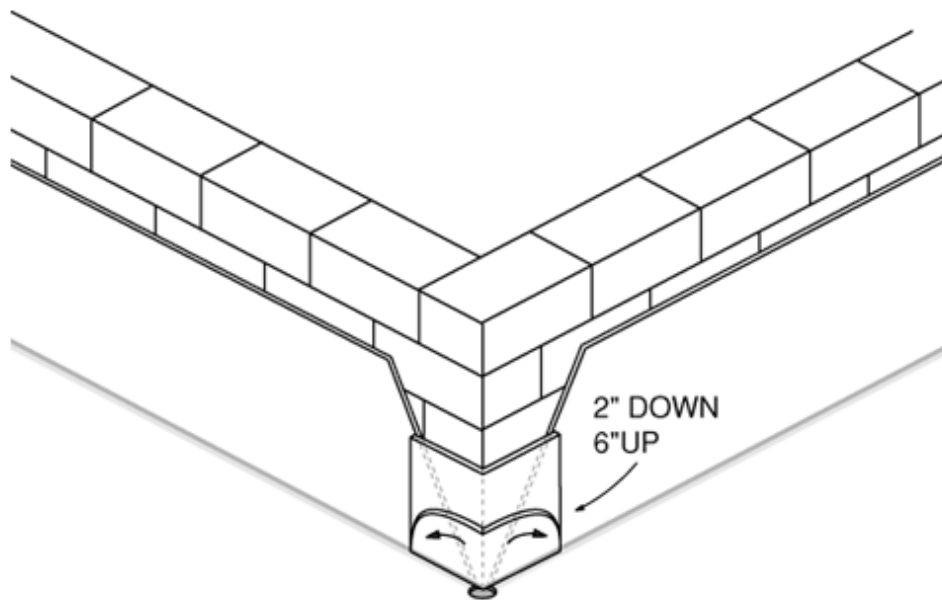
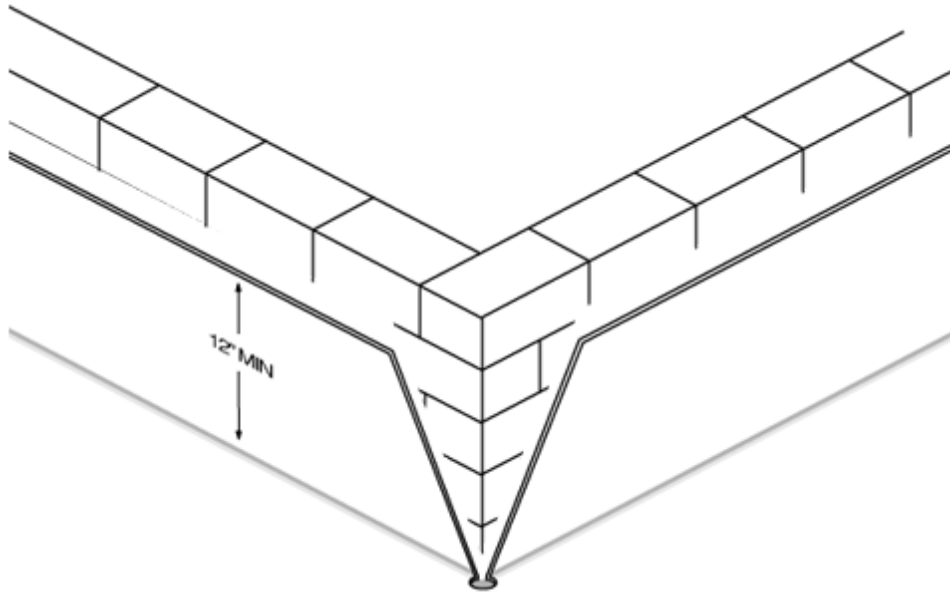
### 2) Pipe Penetrations



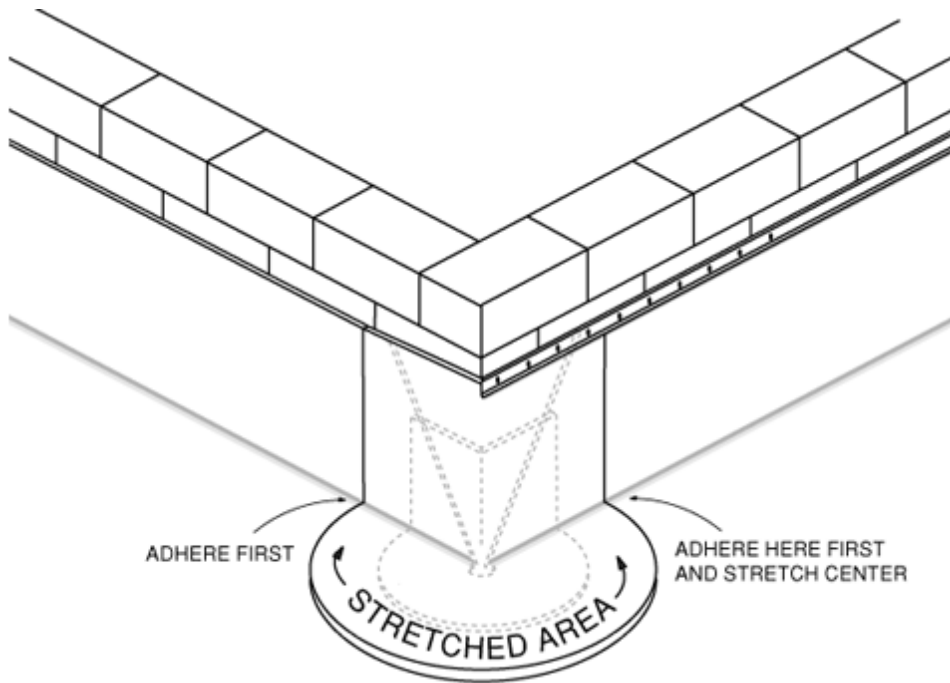
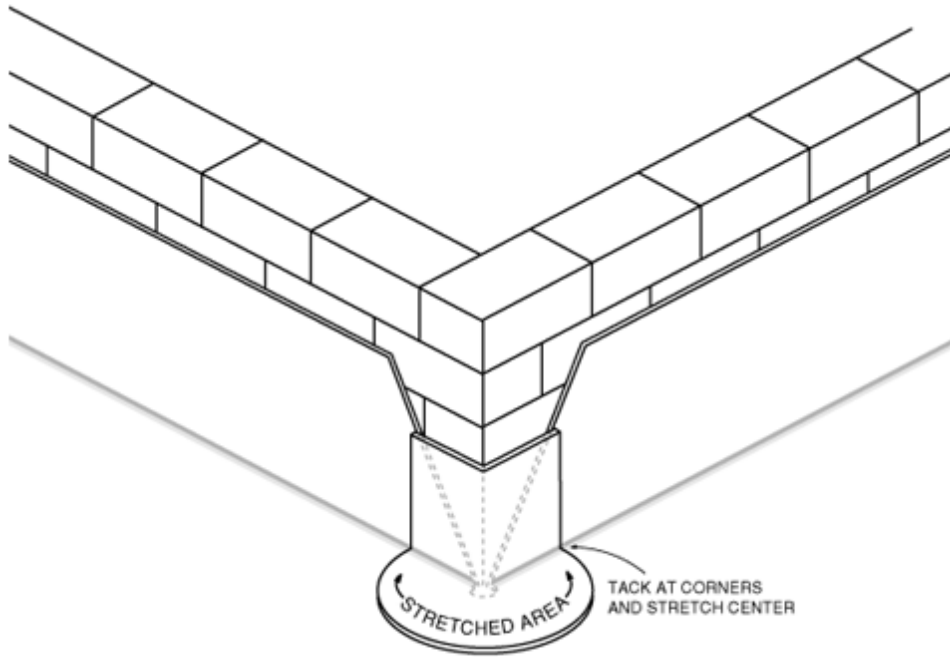




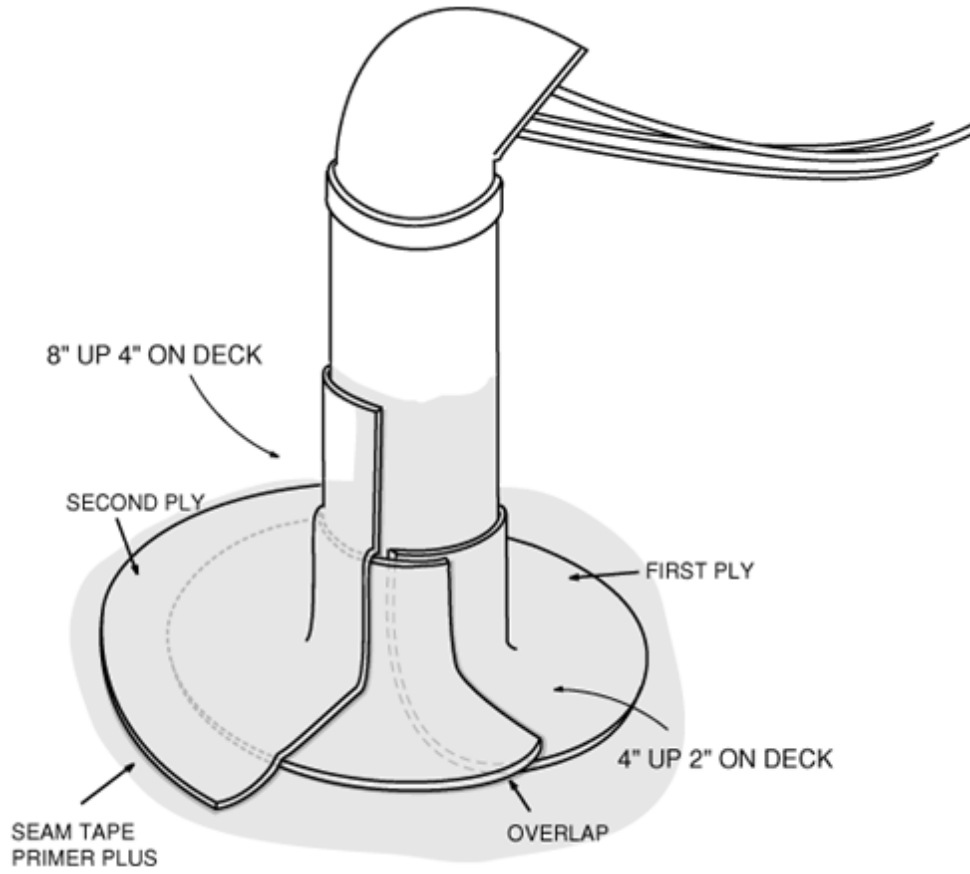




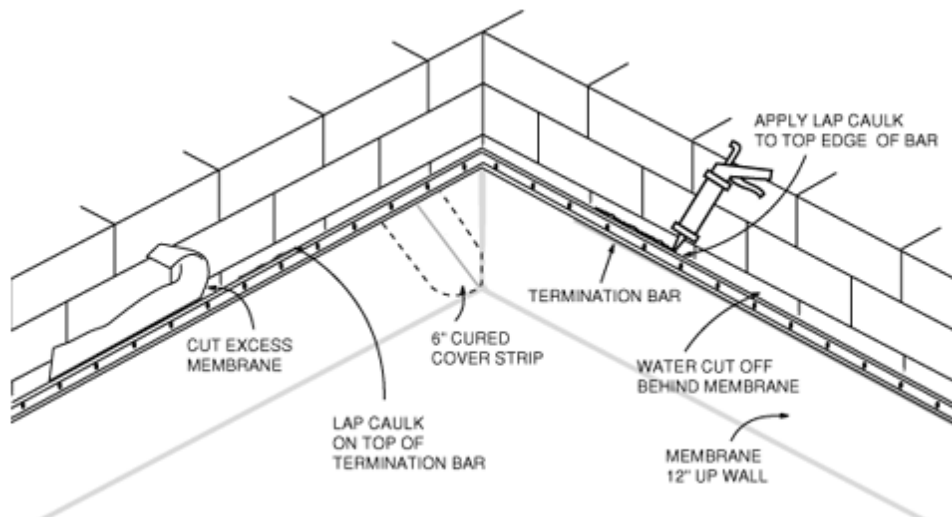
**STRETCH MEMBRANE IN  
DIRECTION OF ARROWS**



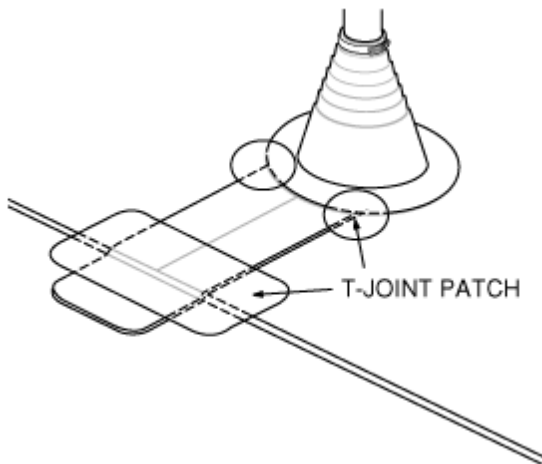
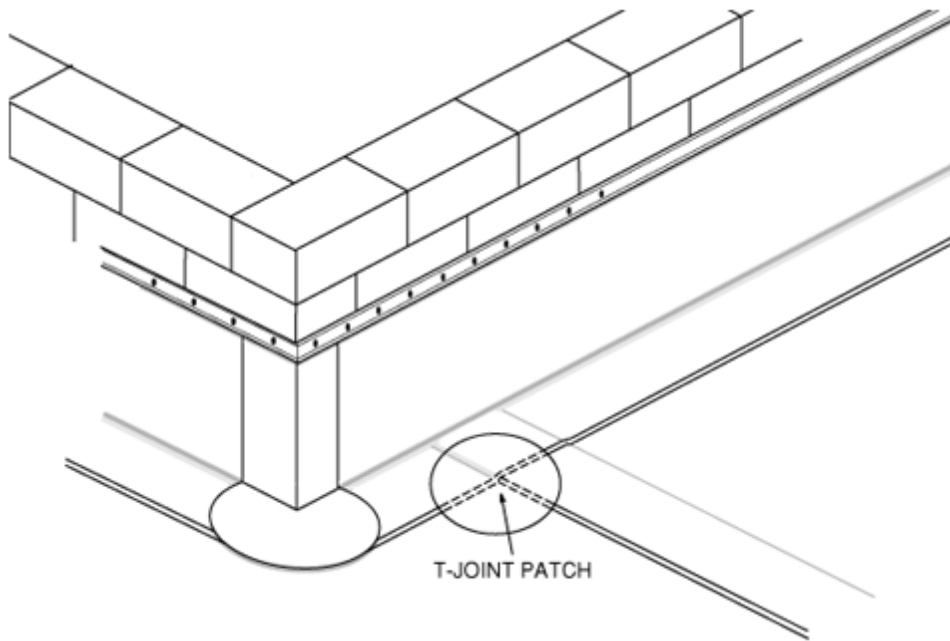
## *Uncured Flashing*



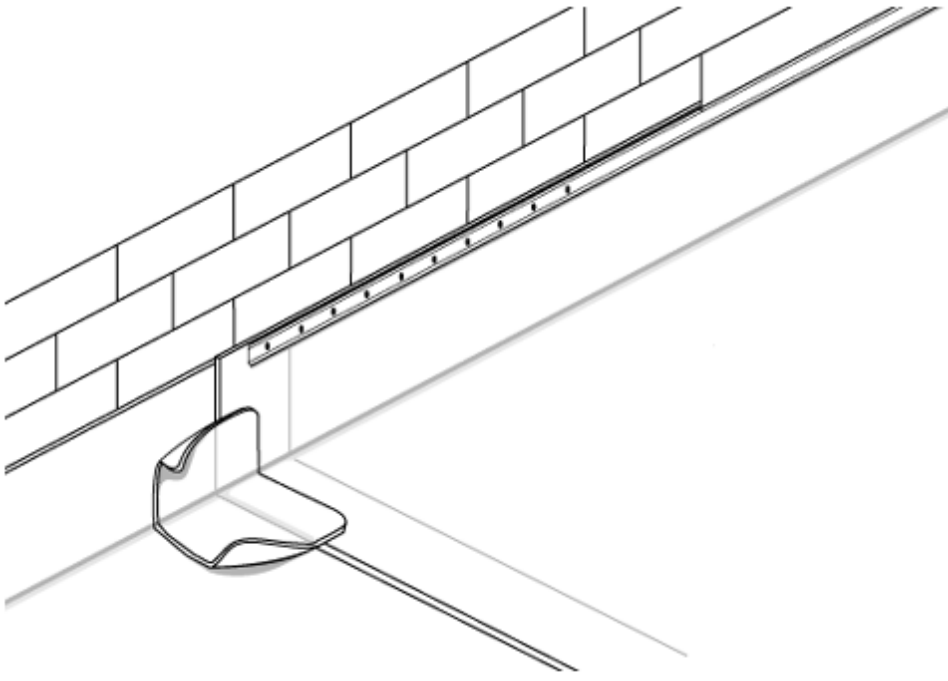
Wall Termination



# T-Joints







Roof Edge Termination With Metal Drip Edge